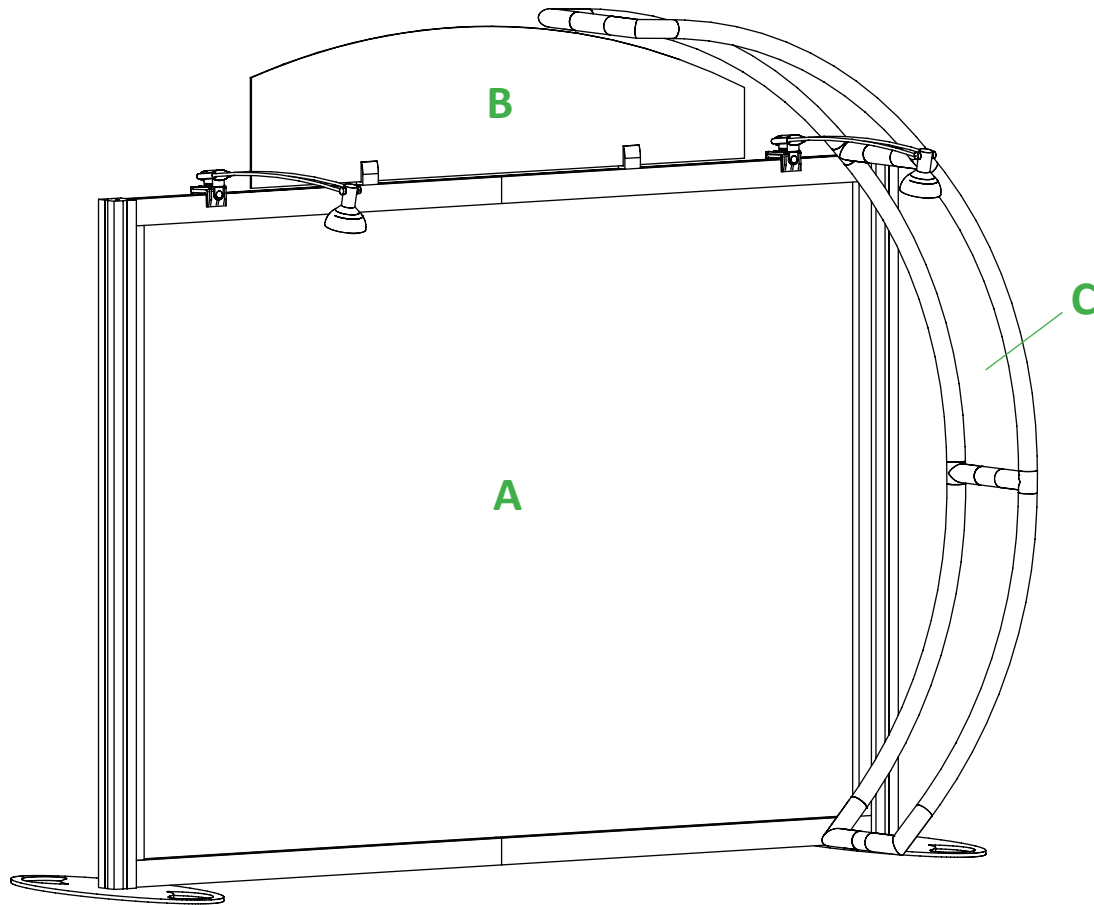


ECO-104T

PLEASE USE PDF FOR REFERENCE ONLY.

Contact your distributor for final graphic templates per order.



GRAPHIC SPECS

GRAPHIC A	QTY. 1
MATERIAL:	TENSION FABRIC *
TREATMENT:	PERIMETER VELCRO
APPROX. SIZE:	60.00" w x 46.00" h
GRAPHIC B	QTY. 1
MATERIAL:	1/8" ECO-BOARD
TREATMENT:	DIRECT PRINT GRAPHIC
APPROX. SIZE:	40.00" w x 9.93" h
GRAPHIC C	QTY. 1
MATERIAL:	TENSION FABRIC *
TREATMENT:	PILLOWCASE GRAPHIC
APPROX. SIZE:	12.00" w x 92.20" h

* Recycled fabric options available

Recycled Fabric Graphics

Made from 100% recycled soda bottles, Paradise Fabric is a high quality 100% recycled content fabric, made in America. Recycled fabric options will vary depending on graphic application.

ECO-Glass

ECO-Glass is a "green" alternative to standard acrylic or plexiglass and is made from 100% post-industrial recycled content. ECO-Glass can be used for infills, accents and direct print graphic substrate. ECO-Glass can be clear or frosted.

ECO-Board

ECO-Board is a white printable and completely biodegradable polystyrene material. It offers a 2-sided printable surface which makes it an eco-friendly alternative to Sintra (made from PVC), and can biodegrade in a landfill in as little as 9 months. ECO-Board comes in 2 different thicknesses - 1/16" & 1/8."